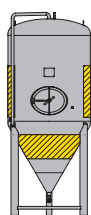
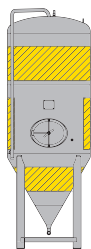


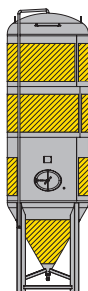
## LAYOUTS DOUBLE JACKETS ZKG-3B



L92



L93



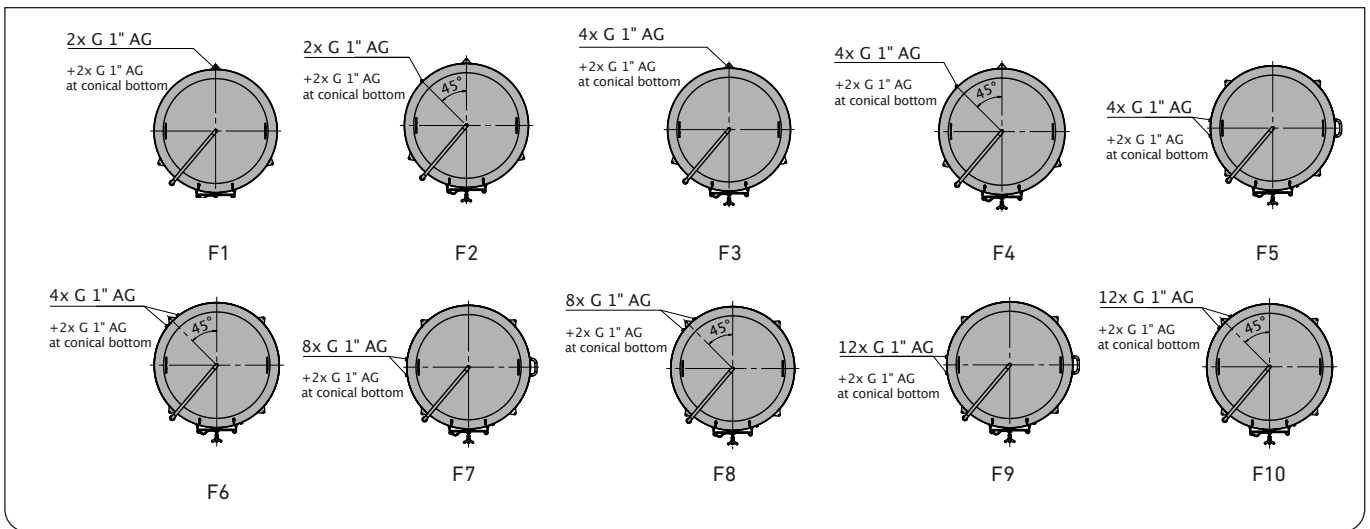
L94

## DOUBLE JACKETS ZKG-3B Ø 1,000–1,600 MM

| Capacity | Tank-ø | Version | Connection position | Layout | Surface tank shell | Surface conical bottom | hd1   | hd2   | Order No. |
|----------|--------|---------|---------------------|--------|--------------------|------------------------|-------|-------|-----------|
| liter    | mm     |         |                     |        | m <sup>2</sup>     | m <sup>2</sup>         | mm    | mm    |           |
| 300      | *630   | 1       | B1 : B2             | L92    | 0.9                | 0,3                    | 500   | -     | 1B1 : 1B2 |
| 800      | 1,000  | 1       | F1 : F2             | L92    | 1.0                | 0,8                    | 500   | -     | 1F1 : 1F2 |
| 900      | 1,000  | 1       | F1 : F2             | L92    | 1.0                | 0,8                    | 500   | -     | 1F1 : 1F2 |
| 1,100    | 1,000  | 1       | F1 : F2             | L92    | 1.6                | 0,8                    | 750   | -     | 1F1 : 1F2 |
| 1,200    | 1,000  | 1       | F1 : F2             | L92    | 1.6                | 0,8                    | 750   | -     | 1F1 : 1F2 |
| 1,500    | 1,000  | 1       | F1 : F2             | L92    | 2.1                | 0,8                    | 1,000 | -     | 1F1 : 1F2 |
| 1,700    | 1,000  | 1       | F3 : F4             | L93    | 3.1                | 0,8                    | 750   | 500   | 1F3 : 1F4 |
| 1,800    | 1,000  | 1       | F3 : F4             | L93    | 3.1                | 0,8                    | 750   | 500   | 1F3 : 1F4 |
| 2,050    | 1,000  | 1       | F3 : F4             | L93    | 3.1                | 0,8                    | 1,000 | 500   | 1F3 : 1F4 |
| 2,250    | 1,000  | 1       | F3 : F4             | L93    | 4.4                | 0,8                    | 1,000 | 750   | 1F3 : 1F4 |
| 1,800    | 1,200  | 1       | F1 : F2             | L92    | 2.0                | 1,3                    | 750   | -     | 1F1 : 1F2 |
| 2,000    | 1,200  | 1       | F1 : F2             | L92    | 2.6                | 1,3                    | 1,000 | -     | 1F1 : 1F2 |
| 2,400    | 1,200  | 1       | F3 : F4             | L93    | 3.8                | 1,3                    | 750   | 500   | 1F3 : 1F4 |
| 3,000    | 1,200  | 1       | F3 : F4             | L93    | 4.2                | 1,3                    | 1,000 | 500   | 1F3 : 1F4 |
| 3,300    | 1,200  | 1       | F3 : F4             | L93    | 5.2                | 1,3                    | 1,000 | 750   | 1F3 : 1F4 |
| 2,400    | 1,400  | 1       | F1 : F2             | L92    | 2.4                | 2,0                    | 750   | -     | 1F1 : 1F2 |
| 3,000    | 1,400  | 1       | F1 : F2             | L92    | 3.3                | 2,0                    | 1,000 | -     | 1F1 : 1F2 |
| 3,600    | 1,400  | 1       | F3 : F4             | L93    | 4.6                | 2,0                    | 750   | 500   | 1F3 : 1F4 |
| 4,000    | 1,400  | 1       | F3 : F4             | L93    | 4.6                | 2,0                    | 750   | 500   | 1F3 : 1F4 |
| 4,400    | 1,400  | 1       | F3 : F4             | L93    | 5.5                | 2,0                    | 1,000 | 500   | 1F3 : 1F4 |
| 4,700    | 1,400  | 1       | F3 : F4             | L93    | 6.5                | 2,0                    | 1,000 | 750   | 1F3 : 1F4 |
| 5,100    | 1,400  | 1       | F3 : F4             | L93    | 8.4                | 2,0                    | 1,250 | 1,000 | 1F3 : 1F4 |
| 3,500    | 1,600  | 1       | F1 : F2             | L92    | 2.9                | 2,3                    | 750   | -     | 1F1 : 1F2 |
| 4,000    | 1,600  | 1       | F1 : F2             | L92    | 3.8                | 2,3                    | 1,000 | -     | 1F1 : 1F2 |
| 4,500    | 1,600  | 1       | F1 : F2             | L92    | 4.8                | 2,3                    | 1,250 | -     | 1F1 : 1F2 |
| 5,000    | 1,600  | 1       | F3 : F4             | L93    | 5.3                | 2,3                    | 750   | 500   | 1F3 : 1F4 |
| 5,500    | 1,600  | 1       | F3 : F4             | L93    | 5.3                | 2,3                    | 750   | 500   | 1F3 : 1F4 |
| 6,000    | 1,600  | 1       | F3 : F4             | L93    | 7.5                | 2,3                    | 1,000 | 750   | 1F3 : 1F4 |
| 6,500    | 1,600  | 1       | F3 : F4             | L93    | 7.5                | 2,3                    | 1,000 | 750   | 1F3 : 1F4 |
| 7,000    | 1,600  | 1       | F3 : F4             | L93    | 9.7                | 2,3                    | 1,250 | 1,000 | 1F3 : 1F4 |
| 7,500    | 1,600  | 1       | F3 : F4             | L93    | 9.7                | 2,3                    | 1,250 | 1,000 | 1F3 : 1F4 |

\* only available as a FD tank

CONNECTION POSITIONEN DOUBLE JACKETS ZKG-3B



DOUBLE JACKETS ZKG-3B Ø 1,800-2,200 MM

| Capacity Tank-ø |       | Version | Connection position |     | Layout | Surface tank shell | Surface conical bottom | hd1   | hd2   | hd3 | Order No.  |
|-----------------|-------|---------|---------------------|-----|--------|--------------------|------------------------|-------|-------|-----|------------|
| liter           | mm    |         |                     |     |        | m <sup>2</sup>     | m <sup>2</sup>         | mm    | mm    | mm  |            |
| 4,750           | 1,800 | 1       | F1                  | F2  | L92    | 3.1                | 3.0                    | 750   | -     | -   | 1F1 : 1F2  |
| 5,400           | 1,800 | 1       | F1                  | F2  | L92    | 4.5                | 3.0                    | 1,000 | -     | -   | 1F1 : 1F2  |
| 6,000           | 1,800 | 1       | F1                  | F2  | L92    | 4.5                | 3.0                    | 1,000 | -     | -   | 1F1 : 1F2  |
| 6,600           | 1,800 | 1       | F3                  | F4  | L93    | 5.9                | 3.0                    | 750   | 500   | -   | 1F3 : 1F4  |
| 7,200           | 1,800 | 1       | F3                  | F4  | L93    | 5.9                | 3.0                    | 750   | 500   | -   | 1F3 : 1F4  |
| 7,800           | 1,800 | 1       | F3                  | F4  | L93    | 7.3                | 3.0                    | 750   | 750   | -   | 1F3 : 1F4  |
| 8,500           | 1,800 | 1       | F3                  | F4  | L93    | 8.7                | 3.0                    | 1,000 | 750   | -   | 1F3 : 1F4  |
| 9,100           | 1,800 | 1       | F3                  | F4  | L93    | 8.7                | 3.0                    | 1,000 | 750   | -   | 1F3 : 1F4  |
| 9,700           | 1,800 | 1       | F3                  | F4  | L93    | 11.5               | 3.0                    | 1,000 | 1,000 | -   | 1F3 : 1F4  |
|                 |       |         |                     |     |        |                    |                        |       |       |     |            |
| 6,200           | 2,000 | 1       | F1                  | F2  | L92    | 3.8                | 3.5                    | 750   | -     | -   | 1F1 : 1F2  |
| 6,900           | 2,000 | 1       | F1                  | F2  | L92    | 5.1                | 3.5                    | 1,000 | -     | -   | 1F1 : 1F2  |
| 7,700           | 2,000 | 1       | F1                  | F2  | L92    | 5.1                | 3.5                    | 1,000 | -     | -   | 1F1 : 1F2  |
| 8,500           | 2,000 | 1       | F3                  | F4  | L93    | 6.9                | 3.5                    | 750   | 500   | -   | 1F3 : 1F4  |
| 9,200           | 2,000 | 1       | F3                  | F4  | L93    | 6.9                | 3.5                    | 750   | 500   | -   | 1F3 : 1F4  |
| 10,000          | 2,000 | 1       | F3                  | F4  | L93    | 8.4                | 3.5                    | 750   | 750   | -   | 1F3 : 1F4  |
| 10,800          | 2,000 | 1       | F3                  | F4  | L93    | 9.7                | 3.5                    | 1,000 | 750   | -   | 1F3 : 1F4  |
| 11,500          | 2,000 | 1       | F3                  | F4  | L93    | 9.7                | 3.5                    | 1,000 | 750   | -   | 1F3 : 1F4  |
| 12,300          | 2,000 | 1       | F3                  | F4  | L93    | 11.3               | 3.5                    | 1,000 | 1,000 | -   | 1F3 : 1F4  |
|                 |       |         |                     |     |        |                    |                        |       |       |     |            |
| 7,800           | 2,200 | 1       | F5                  | F6  | L92    | 3.7                | 2.8                    | 750   | -     | -   | 1F5 : 1F6  |
| 8,800           | 2,200 | 1       | F5                  | F6  | L92    | 5.0                | 2.8                    | 1,000 | -     | -   | 1F5 : 1F6  |
| 9,700           | 2,200 | 1       | F5                  | F6  | L92    | 6.2                | 2.8                    | 1,250 | -     | -   | 1F5 : 1F6  |
| 10,500          | 2,200 | 1       | F7                  | F8  | L93    | 7.0                | 2.8                    | 750   | 500   | -   | 1F7 : 1F8  |
| 11,500          | 2,200 | 1       | F7                  | F8  | L93    | 7.0                | 2.8                    | 750   | 500   | -   | 1F7 : 1F8  |
| 12,500          | 2,200 | 1       | F7                  | F8  | L93    | 8.3                | 2.8                    | 1,000 | 500   | -   | 1F7 : 1F8  |
| 14,300          | 2,200 | 1       | F7                  | F8  | L93    | 10.0               | 2.8                    | 1,000 | 750   | -   | 1F7 : 1F8  |
| 15,200          | 2,200 | 1       | F7                  | F8  | L93    | 10.0               | 2.8                    | 1,000 | 750   | -   | 1F7 : 1F8  |
| 17,200          | 2,200 | 1       | F7                  | F8  | L93    | 11.7               | 2.8                    | 1,000 | 1,000 | -   | 1F7 : 1F8  |
| 18,000          | 2,200 | 1       | F7                  | F8  | L93    | 11.7               | 2.8                    | 1,000 | 1,000 | -   | 1F7 : 1F8  |
| 19,000          | 2,200 | 1       | F9                  | F10 | L94    | 15.0               | 2.8                    | 1,000 | 750   | 750 | 1F9 : 1F10 |
| 20,000          | 2,200 | 1       | F9                  | F10 | L94    | 15.0               | 2.8                    | 1,000 | 750   | 750 | 1F9 : 1F10 |