



» Pressure tank FS-M0-3B

The FS-M0-3B is suitable for high pressure fermentation and maturing up to a working pressure of 3 bar. This version is the classic model for fermentation or maturing in the two tank method.

Besides for beer the 3 bar pressure tank is also suitable for fizzy lemonade, soft drinks and any other sparkling fluid that is under pressure.



APPLICATION RANGE

- › Fermentation
- › Maturation
- › Storage

- Ideal for
- › Beer
 - › All kinds of beverages
 - › Food
 - › Plant construction
 - › Industry

STANDARD EQUIPMENT FOR PRESSURE TANK FS-M0-3B

- › Tank shell made of stainless steel AISI 304 (V2A), IIIc / IIIId
- › Tank bottom made of stainless steel AISI 304 (V2A), surface IIIc / IIIId
- › Tank top made of stainless steel AISI 304 (V2A), surface IIIc / IIIId
- › Surface outside marbled or brushed
- › Ladder safety bow (from 2,000 mm tank height upwards)
- › Free-standing on welded-on box-shaped legs
- › Made in compliance with pressure equipment guidelines 2014 / 68 / EU

SAMPLING

- › Weld-on thread NW 10 DIN 11851 (for the installation of the sample tap)

FILLING DOME AT 280 LITRES (2.8 HL)

- › Filling dome NW 400 with flap lid manhole

FROM 750 LITRES (7.5 HL) UPWARDS

- › Welded stable manhole neck 340 x 400 mm, door with swivelling handle and toggle nut

CLEANING PIPE FROM 750 LITRES (7.5 HL) UPWARDS

- › Cleaning spray head, drill hole 360° with spray head holder, including cleaning pipe, connection thread NW 40 DIN 11851

BOTTOM OUTLET

- › Vaulted dimensionally stable tank bottom with outlet pipe drawn forward, outlet NW 40 DIN 11851

TYPE PLATE

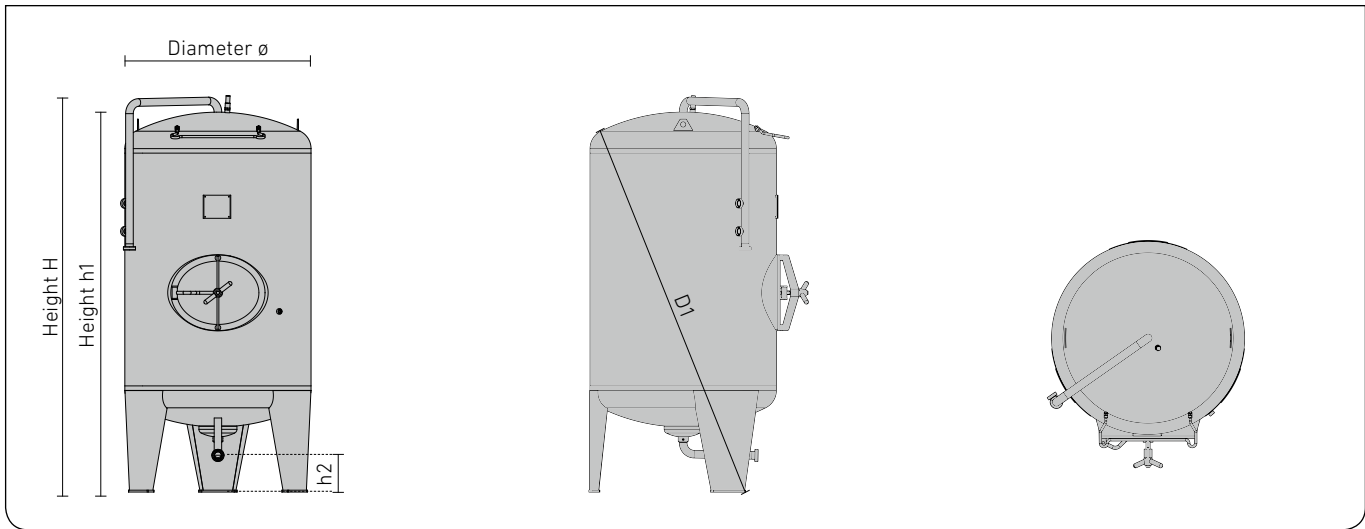
- › Mounted on tank

SAFETY VALVE

- › Set to 3.0 bar working pressure, mounted on tank top



DIMENSIONS OF PRESSURE TANK FS-MO-3B



PRESSURE TANK FS-MO-3B Ø 630 MM

Capacity litres	Capacity hl	ø mm	h1 mm	H mm	h2 mm	D1 mm	Order No.
280	2.8	630	1,255	1,555	225	1,614	FD-063-0280-3B

PRESSURE TANK FS-MO-3B Ø 1,000 MM

Capacity litres	Capacity hl	ø mm	h1 mm	H mm	h2 mm	D1 mm	Order No.
600	6.0	1,000	1,390	1,540	225	1,670	FS-MO-100-0600-3B
750	7.5	1,000	1,578	1,728	225	1,841	FS-MO-100-0750-3B
950	9.5	1,000	1,825	1,975	225	1,985	FS-MO-100-0950-3B
1,150	11.5	1,000	2,075	2,225	225	2,210	FS-MO-100-1150-3B
1,350	13.5	1,000	2,325	2,475	225	2,440	FS-MO-100-1350-3B
1,500	15.0	1,000	2,575	2,725	225	2,680	FS-MO-100-1500-3B
1,750	17.5	1,000	2,588	3,005	225	2,950	FS-MO-100-1750-3B
1,900	19.0	1,000	3,075	3,225	225	3,137	FS-MO-100-1900-3B
2,100	21.0	1,000	3,325	3,475	225	3,384	FS-MO-100-2100-3B

PRESSURE TANK FS-MO-3B Ø 1,200 MM

Capacity litres	Capacity hl	ø mm	h1 mm	H mm	h2 mm	D1 mm	Order No.
1,450	14.5	1,200	1,897	2,047	225	2,135	FS-MO-120-1450-3B
1,800	18.0	1,200	2,222	2,392	225	2,415	FS-MO-120-1800-3B
2,000	20.0	1,200	2,397	2,547	225	2,560	FS-MO-120-2000-3B
2,400	24.0	1,200	2,762	2,912	225	2,910	FS-MO-120-2300-3B
2,550	25.5	1,200	2,897	3,047	225	3,030	FS-MO-120-2550-3B
2,800	28.0	1,200	3,147	3,297	225	3,221	FS-MO-120-2800-3B
3,100	31.0	1,200	3,312	3,462	225	3,401	FS-MO-120-3100-3B

PRESSURE TANK FS-MO-3B Ø 1,400 MM

Capacity litres	Capacity hl	Ø mm	h1 mm	H mm	h2 mm	D1 mm	Order No.
2,100	21.0	1,400	2,017	2,167	225	2,153	FS-MO-140-2100-3B
2,400	24.0	1,400	2,222	2,372	225	2,314	FS-MO-140-2400-3B
2,850	28.5	1,400	2,517	2,667	225	2,589	FS-MO-140-2850-3B
3,000	30.0	1,400	2,617	2,767	225	2,689	FS-MO-140-3000-3B
3,200	32.0	1,400	2,767	2,917	225	2,819	FS-MO-140-3200-3B
3,600	36.0	1,400	3,017	3,167	225	3,055	FS-MO-140-3600-3B
4,000	40.0	1,400	3,267	3,417	225	3,295	FS-MO-140-4000-3B
4,300	43.0	1,400	3,517	3,667	225	3,537	FS-MO-140-4300-3B
4,700	47.0	1,400	3,767	3,917	225	3,780	FS-MO-140-4700-3B
5,100	51.0	1,400	4,017	4,167	225	4,025	FS-MO-140-5100-3B

PRESSURE TANK FS-MO-3B Ø 1,600 MM

Capacity litres	Capacity hl	Ø mm	h1 mm	H mm	h2 mm	D1 mm	Order No.
3,050	30.5	1,600	2,275	2,425	225	2,488	FS-MO-160-3050-3B
3,500	35.0	1,600	2,525	2,675	225	2,701	FS-MO-160-3500-3B
4,000	40.0	1,600	2,775	2,925	225	2,838	FS-MO-160-4000-3B
4,500	45.0	1,600	3,007	3,157	225	3,055	FS-MO-160-4500-3B
5,000	50.0	1,600	3,257	3,407	225	3,295	FS-MO-160-5000-3B
5,500	55.0	1,600	3,507	3,657	225	3,537	FS-MO-160-5500-3B
6,000	60.0	1,600	3,757	3,907	225	3,780	FS-MO-160-6000-3B
6,500	65.0	1,600	4,007	4,157	225	4,025	FS-MO-160-6500-3B

PRESSURE TANK FS-MO-3B Ø 1,800 MM

Capacity litres	Capacity hl	Ø mm	h1 mm	H mm	h2 mm	D1 mm	Order No.
4,000	40.0	1,800	2,387	2,537	225	2,667	FS-MO-180-4000-3B
4,700	47.0	1,800	2,637	2,787	225	2,874	FS-MO-180-4700-3B
5,300	53.0	1,800	2,887	3,037	225	3,088	FS-MO-180-5300-3B
5,900	59.0	1,800	3,137	3,287	225	3,313	FS-MO-180-5900-3B
6,500	65.0	1,800	3,387	3,537	225	3,542	FS-MO-180-6500-3B
7,100	71.0	1,800	3,637	3,787	225	3,776	FS-MO-180-7100-3B
7,800	78.0	1,800	3,887	4,037	225	4,014	FS-MO-180-7800-3B
8,400	84.0	1,800	4,137	4,287	225	4,254	FS-MO-180-8400-3B

PRESSURE TANK FS-MO-3B Ø 2,000 MM

Capacity litres	Capacity hl	Ø mm	h1 mm	H mm	h2 mm	D1 mm	Order No.
5,200	52.0	2,000	2,487	2,637	225	2,707	FS-MO-200-5200-3B
6,000	60.0	2,000	2,737	2,887	225	2,909	FS-MO-200-6000-3B
6,800	68.0	2,000	2,987	3,137	225	3,118	FS-MO-200-6800-3B
7,500	75.0	2,000	3,237	3,387	225	3,338	FS-MO-200-7500-3B
8,300	83.0	2,000	3,487	3,637	225	3,560	FS-MO-200-8300-3B
9,100	91.0	2,000	3,737	3,887	225	3,790	FS-MO-200-9100-3B
9,900	99.0	2,000	3,887	4,137	225	4,025	FS-MO-200-9900-3B
10,600	106.0	2,000	4,237	4,387	225	4,263	FS-MO-200-10600-3B

PRESSURE TANK FS-MO-3B Ø 2,200 MM

Capacity litres	Capacity hl	Ø mm	h1 mm	H mm	h2 mm	D1 mm	HV	Order No.
6,500	65.0	2,200	2,590	2,740	225	2,953	8xM24	FS-MO-220-6500-3B
7,500	75.0	2,200	2,840	2,990	225	3,141	8xM24	FS-MO-220-7500-3B
8,400	84.0	2,200	3,090	3,240	225	3,338	8xM24	FS-MO-220-8400-3B
9,300	93.0	2,200	3,340	3,490	225	3,541	8xM24	FS-MO-220-9300-3B
10,200	102.0	2,200	3,590	3,740	225	3,750	8xM24	FS-MO-220-10200-3B
12,100	121.0	2,200	4,090	4,240	225	4,187	8xM24	FS-MO-220-12100-3B
14,000	140.0	2,200	4,590	4,740	225	4,642	8xM24	FS-MO-220-14000-3B
15,000	150.0	2,200	4,840	5,240	225	5,113	8xM24	FS-MO-220-15000-3B
16,000	160.0	2,200	5,090	5,490	225	5,351	8xM24	FS-MO-220-16000-3B
17,000	170.0	2,200	5,340	5,630	225	5,462	8xM24	FS-MO-220-17000-3B
18,800	188.0	2,200	5,840	6,130	225	5,969	8xM24	FS-MO-220-18800-3B
20,500	205.0	2,200	6,340	6,630	225	6,462	8xM24	FS-MO-220-20500-3B

PRESSURE TANK FS-MO-3B Ø 2,400 MM

Capacity litres	Capacity hl	Ø mm	h1 mm	H mm	h2 mm	D1 mm	HV	Order No.
8,000	80.0	2,400	2,610	2,760	225	3,118	8xM24	FS-MO-240-8000-3B
9,200	92.0	2,400	2,860	3,010	225	3,301	8xM24	FS-MO-240-9200-3B
10,300	103.0	2,400	3,110	3,260	225	3,492	8xM24	FS-MO-240-10300-3B
12,500	125.0	2,400	3,610	3,760	225	3,895	8xM24	FS-MO-240-12500-3B
14,500	145.0	2,400	4,110	4,260	225	4,318	8xM24	FS-MO-240-14500-3B
15,800	158.0	2,400	4,360	4,510	225	4,568	8xM24	FS-MO-240-15800-3B
17,000	170.0	2,400	4,610	4,760	225	4,818	8xM24	FS-MO-240-17000-3B
19,200	192.0	2,400	5,110	5,260	225	5,318	8xM24	FS-MO-240-19200-3B
20,400	204.0	2,400	5,360	5,510	225	5,568	8xM24	FS-MO-240-20400-3B
22,500	225.0	2,400	5,860	6,010	225	6,068	8xM24	FS-MO-240-22500-3B
23,500	235.0	2,400	6,110	6,260	225	6,318	8xM24	FS-MO-240-23500-3B
24,800	248.0	2,400	6,360	6,510	225	6,568	8xM24	FS-MO-240-24800-3B

PRESSURE TANK FS-MO-3B Ø 2,600 MM

Capacity litres	Capacity hl	Ø mm	h1 mm	H mm	h2 mm	D1 mm	HV	Order No.
9,900	99.0	2,600	2,800	2,880	225	3,380	8xM24	FS-MO-260-9900-3B
11,200	112.0	2,600	3,050	3,130	225	3,562	8xM24	FS-MO-260-11200-3B
12,500	125.0	2,600	3,330	3,380	225	3,752	8xM24	FS-MO-260-12500-3B
13,600	136.0	2,600	3,550	3,630	225	3,949	8xM24	FS-MO-260-13600-3B
16,500	165.0	2,600	4,050	4,130	225	4,359	8xM24	FS-MO-260-16500-3B
17,500	175.0	2,600	4,300	4,380	225	4,571	8xM24	FS-MO-260-17500-3B
20,300	203.0	2,600	4,800	4,880	225	5,012	8xM24	FS-MO-260-20300-3B
21,500	215.0	2,600	5,050	5,130	225	5,238	8xM24	FS-MO-260-21500-3B
24,200	242.0	2,600	5,550	5,630	225	5,701	8xM24	FS-MO-260-24200-3B
25,500	255.0	2,600	5,800	5,880	225	5,936	8xM24	FS-MO-260-25500-3B
27,000	270.0	2,600	6,050	6,130	225	6,207	8xM24	FS-MO-260-27000-3B
28,000	280.0	2,600	6,300	6,380	225	6,444	10xM24	FS-MO-260-28000-3B
29,500	295.0	2,600	6,550	6,630	225	6,683	10xM24	FS-MO-260-29500-3B
32,000	320.0	2,600	7,050	7,130	225	7,164	10xM24	FS-MO-260-32000-3B

PRESSURE TANK FS-MO-3B Ø 2,800 MM

Capacity litres	Capacity hl	Ø mm	h1 mm	H mm	h2 mm	D1 mm	HV	Order No.
11,800	118.0	2,800	2,945	3,095	225	3,567	8xM24	FS-MO-280-11800-3B
13,400	134.0	2,800	3,195	3,305	225	3,745	8xM24	FS-MO-280-13400-3B
15,000	150.0	2,800	3,445	3,555	225	3,931	8xM24	FS-MO-280-15000-3B
16,500	165.0	2,800	3,695	3,805	225	4,124	8xM24	FS-MO-280-16500-3B
18,000	180.0	2,800	3,945	4,055	225	4,323	8xM24	FS-MO-280-18000-3B
21,000	210.0	2,800	4,445	4,555	225	4,735	8xM24	FS-MO-280-21000-3B
22,500	225.0	2,800	4,695	4,805	225	4,952	8xM24	FS-MO-280-22500-3B
24,000	240.0	2,800	4,945	5,055	225	5,168	8xM24	FS-MO-280-24000-3B
25,500	255.0	2,800	5,195	5,305	225	5,389	8xM24	FS-MO-280-25500-3B
27,000	270.0	2,800	5,445	5,555	225	5,614	8xM24	FS-MO-280-27000-3B
28,500	285.0	2,800	5,695	5,805	225	5,844	8xM30	FS-MO-280-28500-3B
31,500	315.0	2,800	6,195	6,305	225	6,311	8xM30	FS-MO-280-31500-3B
33,000	330.0	2,800	6,445	6,555	225	6,548	8xM30	FS-MO-280-33000-3B
34,500	345.0	2,800	6,695	6,805	225	6,786	8xM30	FS-MO-280-34500-3B
36,000	360.0	2,800	6,945	7,055	225	7,026	8xM30	FS-MO-280-36000-3B
37,500	375.0	2,800	7,195	7,305	225	7,267	8xM30	FS-MO-280-37500-3B
39,000	390.0	2,800	7,445	7,555	225	7,523	10xM30	FS-MO-280-39000-3B
40,800	408.0	2,800	7,695	7,805	225	7,779	10xM30	FS-MO-280-40800-3B

PRESSURE TANK FS-MO-3B Ø 3,000 MM

Capacity litres	Capacity hl	Ø mm	h1 mm	H mm	h2 mm	D1 mm	HV	Order No.
14,100	141.0	3,000	2,970	3,120	225	3,695	8xM30	FS-MO-300-14100-3B
16,000	160.0	3,000	3,220	3,370	225	3,867	8xM30	FS-MO-300-16000-3B
17,500	175.0	3,000	3,470	3,620	225	4,046	8xM30	FS-MO-300-17500-3B
19,500	195.0	3,000	3,720	3,870	225	4,233	8xM30	FS-MO-300-19500-3B
21,000	210.0	3,000	3,970	4,120	225	4,427	8xM30	FS-MO-300-21000-3B
23,000	230.0	3,000	4,220	4,370	225	4,625	8xM30	FS-MO-300-23000-3B
24,500	245.0	3,000	4,470	4,620	225	4,829	8xM30	FS-MO-300-24500-3B
26,500	265.0	3,000	4,720	4,870	225	5,039	8xM30	FS-MO-300-26500-3B
28,000	280.0	3,000	4,970	5,120	225	5,248	8xM30	FS-MO-300-28000-3B
30,000	300.0	3,000	5,220	5,370	225	5,463	8xM30	FS-MO-300-30000-3B
31,500	315.0	3,000	5,470	5,620	225	5,686	8xM30	FS-MO-300-31500-3B
33,500	335.0	3,000	5,720	5,870	225	5,937	8xM30	FS-MO-300-33500-3B
35,000	350.0	3,000	5,970	6,120	225	6,187	8xM30	FS-MO-300-35000-3B
37,000	370.0	3,000	6,220	6,370	225	6,414	10xM30	FS-MO-300-37000-3B
38,500	385.0	3,000	6,420	6,570	225	6,645	10xM30	FS-MO-300-38500-3B
40,500	405.0	3,000	6,670	6,820	225	6,879	10xM30	FS-MO-300-40500-3B
42,000	420.0	3,000	6,970	7,120	225	7,112	10xM30	FS-MO-300-42000-3B
44,000	440.0	3,000	7,220	7,370	225	7,349	10xM30	FS-MO-300-44000-3B
45,500	455.0	3,000	7,470	7,620	225	7,588	10xM30	FS-MO-300-45500-3B
47,500	475.0	3,000	7,720	7,870	225	7,826	10xM30	FS-MO-300-47500-3B
49,000	490.0	3,000	7,970	8,120	225	8,066	10xM30	FS-MO-300-49000-3B