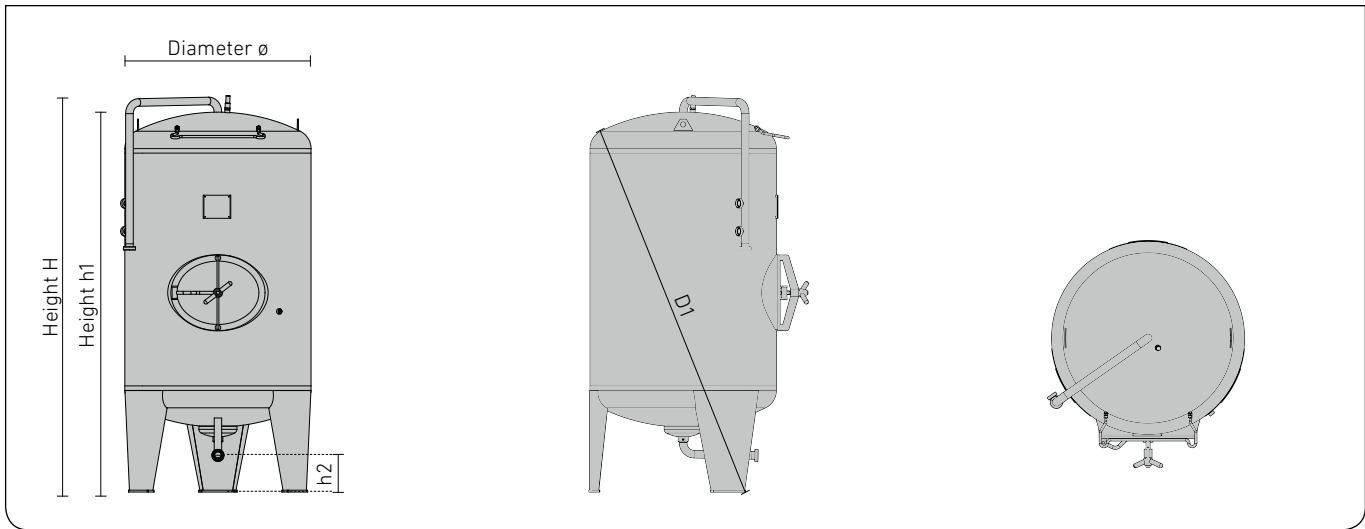


DIMENSIONS OF PRESSURE TANK FS-MO-3B



PRESSURE TANK FS-MO-3B Ø 630 MM

Capacity litres	Capacity hl	ø mm	h1 mm	H mm	h2 mm	D1 mm	Order No.
280	2.8	630	1,255	1,555	225	1,614	FD-063-0280-3B

PRESSURE TANK FS-MO-3B Ø 1,000 MM

Capacity litres	Capacity hl	ø mm	h1 mm	H mm	h2 mm	D1 mm	Order No.
600	6.0	1,000	1,390	1,540	225	1,670	FS-MO-100-0600-3B
750	7.5	1,000	1,578	1,728	225	1,841	FS-MO-100-0750-3B
950	9.5	1,000	1,825	1,975	225	1,985	FS-MO-100-0950-3B
1,150	11.5	1,000	2,075	2,225	225	2,210	FS-MO-100-1150-3B
1,350	13.5	1,000	2,325	2,475	225	2,440	FS-MO-100-1350-3B
1,500	15.0	1,000	2,575	2,725	225	2,680	FS-MO-100-1500-3B
1,750	17.5	1,000	2,588	3,005	225	2,950	FS-MO-100-1750-3B
1,900	19.0	1,000	3,075	3,225	225	3,137	FS-MO-100-1900-3B
2,100	21.0	1,000	3,325	3,475	225	3,384	FS-MO-100-2100-3B

PRESSURE TANK FS-MO-3B Ø 1,200 MM

Capacity litres	Capacity hl	ø mm	h1 mm	H mm	h2 mm	D1 mm	Order No.
1,450	14.5	1,200	1,897	2,047	225	2,135	FS-MO-120-1450-3B
1,800	18.0	1,200	2,222	2,392	225	2,415	FS-MO-120-1800-3B
2,000	20.0	1,200	2,397	2,547	225	2,560	FS-MO-120-2000-3B
2,400	24.0	1,200	2,762	2,912	225	2,910	FS-MO-120-2300-3B
2,550	25.5	1,200	2,897	3,047	225	3,030	FS-MO-120-2550-3B
2,800	28.0	1,200	3,147	3,297	225	3,221	FS-MO-120-2800-3B
3,100	31.0	1,200	3,312	3,462	225	3,401	FS-MO-120-3100-3B