



» Multi-compartment tank MS-MO

Don't reduce volume! Save on height! Speidel's multi-compartment tanks MS-MO have perfectly connected multiple tank compartments. In case you wish to obtain a perfect look even in case of different individual tank capacities, the MS-MO is first choice!

Even when combined with single tanks, the use of the MS-MO allows you to obtain a uniform line of tanks at the same total holding capacity. This option offers the possibility to process smaller batches while perfectly using the available room height. Up to three compartments available per tank.



- › Gapless and free of voids
- › Easy cleaning and tank sterilisation



APPLICATION RANGE (PRESSURELESS)

- | | |
|---------------------|--------------------|
| › Storage | Ideal for |
| › Maturation | › Wine |
| › Fermentation | › Must |
| › Mixing / Blending | › Spirits |
| › Processes | › Juice |
| | › Soft drinks |
| | › Alcoholic drinks |

STANDARD EQUIPMENT FOR MULTI-COMPARTMENT TANK MS-MO

UPPER TANK COMPARTMENT

- › The volume of the upper tank compartment corresponds with a standard tank size
- › Vaulted, stable tank top
- › Tank up to \varnothing of 2,000 mm with integrally moulded forward upslope for complete filling and ventilation assuring a very small air contact area
- › From tank- \varnothing of 2,200 mm upwards welded-on connection neck located in top centre with filling and vent neck AGNW 50 Rd 78 x 1/6"
- › With lifting lugs
- › From 2,000 mm tank height upwards with ladder safety bow
- › Vaulted, stable inserted bottom
- › Up to tank- \varnothing of 2,000 mm with integrally moulded forward down-slope for complete draining moulded connection neck, impending suction effect with bottom outlet neck NW 50 DIN 11851
- › From tank- \varnothing of 2,200 mm upwards with discharge cup located in the centre of the tank's bottom and forward drawn discharge pipe, outlet with thread NW 50 DIN 11851

MIDDLE TANK COMPARTMENT

- › Inserted bottom of the upper tank compartment with filling and vent neck external thread NW 50 Rd 78 x 1/6" for complete filling and ventilation
- › Vaulted, stable inserted bottom
- › Up to tank- \varnothing of 2,000 mm with integrally moulded forward down-slope for complete draining moulded connection neck, impending suction effect with bottom outlet neck NW 50 DIN 11851
- › From tank- \varnothing of 2,200 mm upwards with discharge cup located in the centre of the tank's bottom and forward drawn discharge pipe, outlet with thread NW 50 DIN 11851

LOWER TANK COMPARTMENT

- › Inserted bottom of the upper respectively middle tank compartment with filling and ventilation neck NW 50 Rd 78 x 1/6" for complete filling and vent
- › Vaulted, stable tank bottom
- › Up to tank- \varnothing of 2,000 mm with integrally moulded forward down-slope for complete draining
- › Moulded connection neck, impending suction effect with bottom outlet neck NW 50 DIN 11851

- › From tank- \varnothing of 2,200 mm upwards with discharge cup located in the centre of the tank's bottom and forward drawn discharge pipe, outlet with thread NW 50 DIN 11851
- › Free-standing on welded-on box-shaped legs – perfect stability and force transmission into the tank shell

STANDARD EQUIPMENT PER TANK COMPARTMENT

- › Inserted bottom made of AISI316
- › Sampling: welded-on thread NW 10 DIN 11851 with sealing cap (for the installation of sampling tap)
- › Stable manhole neck seamlessly moulded from the tank shell, 420 x 320 mm, door with butterfly bow and hand wheel
- › Racking outlet: Reinforcing plate with drilled hole 48 mm \varnothing (to hold flap valve Gr. 37 or weld-on thread NW 40, NW 50 DIN 11851)
- › Fill level: Weld-on thread NW 10 DIN 11851 with sealing cap including fastening points on tank shell (for the installation of fill level indicator)



SET-UP EXAMPLE FOR MULTI-COMPARTMENT TANK MS-MO

Item

Order No.



FS-MO base tank FS-MO-120-2000 litres

› $h_1 = 2,173$ mm,

$H_{ges} = 2,173$ mm (h_1) + 80 mm (connection) + 100 mm (height compensation) = approx. 2,353 mm

› Standard equipment as on page 55

FS-MO-120-2000

Multiple-compartment tank

› Upper tank compartment 1,000 litres

› Lower tank compartment 1,000 litres

MS-MO-120-S

Equipment for each tank compartment:



Sampling (page 139)

› With sampling tap NW 10 DIN 11851

2x 64949



Racking outlet (page 135)

› With mounted flap valve Gr. 37

2x KA-120I



Fill level (page 140)

› Mounted fill level indicator NW 10

2x FS-130H



Bottom outlet (page 135)

› With disc valve NW 50 DIN 11851

2x 64945



Temperature measurement (page 142)

› Bi-metal dial thermometer \varnothing 100 mm, measuring range -20°C to $+60^{\circ}\text{C}$

› Threaded sleeve with locking screw and cap nut NW 10 DIN 11851

2x TM-140C



Cooling and heating jacket lower tank compartment (page 98)

› Double jacket shape A2 $1,3\text{ m}^2$ with welded gland thread G 1" for connection to available warm water / cold water source

› Version 1, layout 15, connection position A2

1A2



Cooling and heating jacket upper tank compartment (page 98)

› Double jacket shape A2 $1,3\text{ m}^2$ with welded gland thread G 1" for connection to available warm water / cold water source

› Version 1, layout 15, connection position A2

1A2

Equipment per tank:

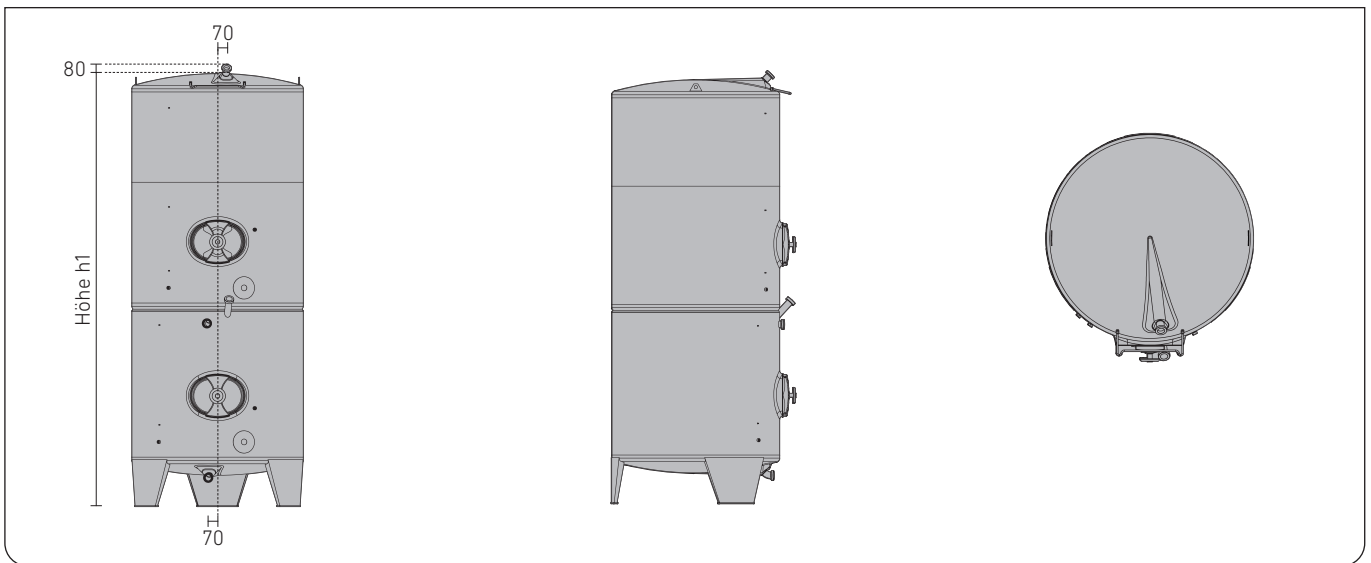


Adjustable feet (page 145)

› With adjustable feet for tank legs ($H = +$ approx. 100 mm)

46127

DIMENSIONS OF MULTI-COMPARTMENT TANK MS-MO



MULTI-COMPARTMENT TANK MS-MO

Ø mm	Minimum capacity for each tank compartment litres	Order No. mounted
1,000	650	MS-MO- 100-S
1,200	900	MS-MO- 120-S
1,400	1,200	MS-MO- 140-S
1,600	1,550	MS-MO- 160-S
1,800	1,900	MS-MO- 180-S
2,000	2,350	MS-MO- 200-S
2,200	3,950	MS-MO- 220-S
2,400	4,700	MS-MO- 240-S
2,600	5,800	MS-MO- 260-S
2,800	6,750	MS-MO- 280-S
3,000	8,800	MS-MO- 300-S
900 x 1,400	850	RS-MO- 090-S
1,100 x 1,600	1,250	RS-MO- 110-S
1,300 x 1,800	1,650	RS-MO- 130-S
1,500 x 2,000	2,200	RS-MO- 150-S
1,400 x 1,400	1,450	RS-MO- 141-S

