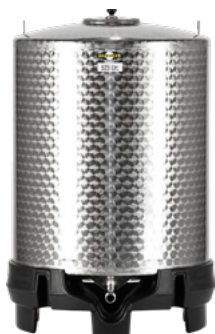


Transportation tank SD-T (vertical)



APPLICATION RANGE (PRESSURELESS)

- Transportation
- Storage

Ideal for

- Juice
- Must
- Wine
- Spirits
- Fermented beverages

The transport tank SD-T is exactly the right thing for both in-house and external transportation. The tank has many useful details that facilitate operations.

Lifting lugs that allow to protect the loaded goods in the most reliable manner also in case of longer transport distances are fixed to the edge of the vaulted tank top. Depending on the tank's size,

forklifts / pallet trucks can access the tank from either two or four sides. The tank's top-quality PE-base made by Speidel fits perfectly. In addition to being accessible from underneath, the base also works as buffer. It guarantees long-lasting and reliable transport safety.

For forklift and pallet truck
transportation

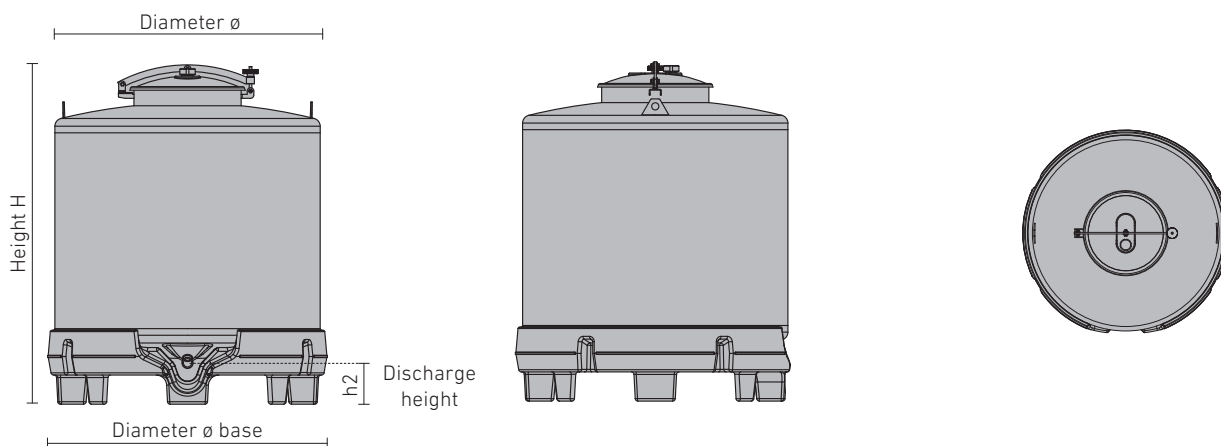




STANDARD EQUIPMENT FOR TRANSPORTATION TANK SD-T (VERTICAL)

- For non-pressurized use
- AISI 304 stainless steel, surface IIIId (2R), marbled outside
- Vaulted tank top with lifting lugs
- Up to 525 liter capacity (820 mm ϕ) with filler neck 220 mm, lid with inner clamp fastener, sealing: silicone
- From 650 liter capacity upwards (1,000 mm ϕ) with filler neck 400 mm, flap lid with outer clamp fastener, stainless steel vent neck external thread G 1 1/2" (BSP) with sealing cap
- Vaulted tank bottom with discharge outlet external thread G 1 1/4" (BSP)
- Up to 525 liter capacity (820 mm ϕ) with PE-transportation and storage base, accessible from two sides by forklift / pallet truck
- From 650 liter capacity upwards (1,000 mm ϕ) with PE-transportation and storage base, accessible from four sides by forklift / pallet truck, screwed together

TRANSPORTATION TANK SD-T (VERTICAL)



Capacity	ϕ Tank	ϕ Base	H	h2	Order No.
liter	mm	mm	mm	mm	
320	820	873	925	160	SD-T -082 -0320
525	820	873	1,322	160	SD-T -082 -0525
650	1,000	1,054	1,310	135	SD-T -100 -0650
1,000	1,200	1,256	1,340	115	SD-T -120 -1000